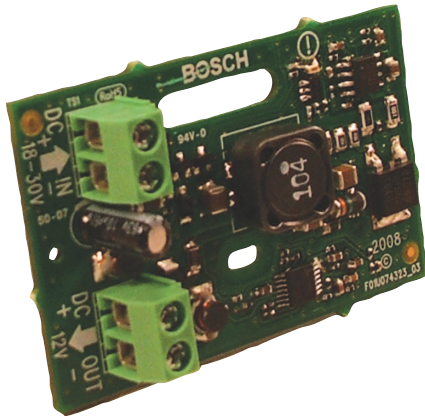


## ICP-MAP0017 MAP Power converter, 12V-28V

### Modular Alarm Platform 5000



The converter converts a 24 VDC system into a 12 VDC system at 500 mA.

As part of the MAP 5000 system, the converter supports power requirements for the following:

- Communicator interfaces such as the AT 2000 Transmission System Auto Dialers.
- 12 V conventional peripherals such as motion or glass break detectors.

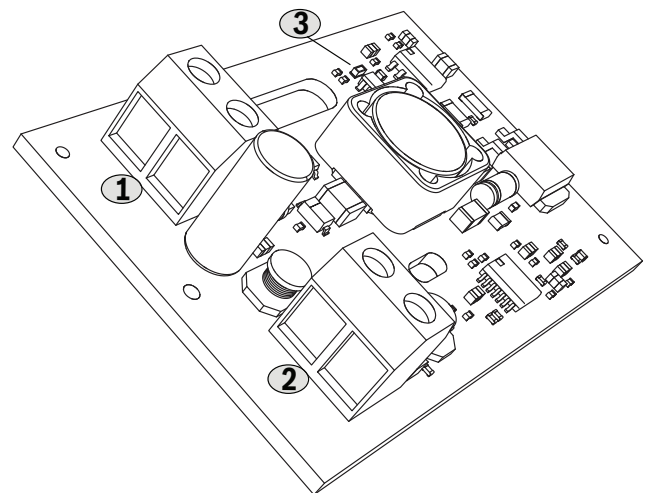
#### Regulatory information

Region	Regulatory compliance/quality marks	
Europe	CE	
France	AFNOR	1133400003A1
Poland	TECHOM	03-16-o [ICP-MAP5000]
Germany	VdS	G111040 Class C

- ▶ Converts a 24 VDC system to a 12 VDC system
- ▶ Up to two MAP 12V Converters can be mounted on a MAP Accessory Mounting Plate
- ▶ Limits and indicates over-current conditions

#### Installation/configuration notes

##### Terminals and Connectors



- 1 DC in (+ and -)
- 2 DC out (+ and -)
- 3 LED (over-current)

#### Parts included

Quantity	Component
1	MAP 12V Converter (ICP-MAP0017)
1	Accessory pack

Quantity	Component
	<ul style="list-style-type: none"> <li>One screw</li> <li>One washer</li> <li>One stand-off bracket</li> </ul>

## Technical specifications

### Electrical

Minimum operating voltage in VDC	18
Maximum operating voltage in VDC	29
Maximum current consumption in mA at: voltage 28 VDC, maximum output current 500 mA	325
Maximum output current in mA	500
Minimum output voltage in VDC	12
Maximum output voltage in VDC	15
Galvanic isolation	Non-isolated (common negative)
Efficiency in %	75

### Mechanical

PCB	
Dimension in cm (H x W x D)	6.0 x 3.8 x 1.5
Weight in g	18
Connection type	Terminal strip
Indicator	Yellow LED for over-current

### Environmental

Minimum operating temperature in °C	-10
Maximum operating temperature in °C	55
Minimum storage temperature in °C	-20
Maximum storage temperature in °C	60

Minimum relative humidity in %	5 (non-condensing)
Maximum relative humidity in %	95 (non-condensing)
Protection class	IP30 IP31 (built into the MAP Panel Enclosure with an edge protection profile)
Security level	IK04 IK06 (built into the MAP Panel Enclosure with an edge protection profile)
Environmental class	II: EN50130-5, VdS 2110
Usage	Indoor

## Ordering information

**ICP-MAP0017 MAP Power converter, 12V-28V**  
 Converts 24 VDC systems into 12 VDC systems.  
 Supports power requirements for communicator interfaces and 12 VDC peripherals.  
 Order number **ICP-MAP0017 | F.01U.067.078**  
**F.01U.422.511**

#### Represented by:

**Europe, Middle East, Africa:**  
 Bosch Security Systems B.V.  
 P.O. Box 80002  
 5600 JB Eindhoven, The Netherlands  
 Phone: + 31 40 2577 284  
[www.boschsecurity.com/xc/en/contact/](http://www.boschsecurity.com/xc/en/contact/)  
[www.boschsecurity.com](http://www.boschsecurity.com)

**Germany:**  
 Bosch Sicherheitssysteme GmbH  
 Robert-Bosch-Ring 5  
 85630 Grasbrunn  
 Tel.: +49 (0)89 6290 0  
 Fax: +49 (0)89 6290 1020  
[de.securitysystems@bosch.com](mailto:de.securitysystems@bosch.com)  
[www.boschsecurity.com](http://www.boschsecurity.com)

**North America:**  
 Bosch Security Systems, LLC  
 130 Perinton Parkway  
 Fairport, New York, 14450, USA  
 Phone: +1 800 289 0096  
 Fax: +1 585 223 9180  
[onlinehelp@us.bosch.com](mailto:onlinehelp@us.bosch.com)  
[www.boschsecurity.com](http://www.boschsecurity.com)

**Asia-Pacific:**  
 Robert Bosch (SEA) Pte Ltd, Security Systems  
 11 Bishan Street 21  
 Singapore 573943  
 Phone: +65 6571 2808  
 Fax: +65 6571 2699  
[www.boschsecurity.com/xc/en/contact/](http://www.boschsecurity.com/xc/en/contact/)  
[www.boschsecurity.com](http://www.boschsecurity.com)